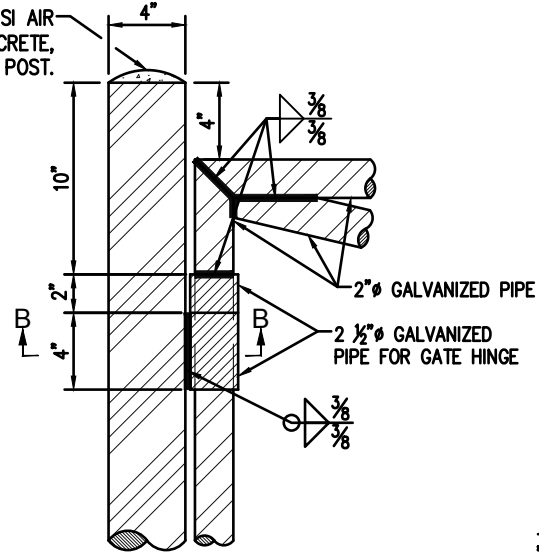


FILL 4"Ø POST W/ 3000 PSI AIR ENTRAINED FLY ASH CONCRETE, ROUNDED AT TOP OF POST.

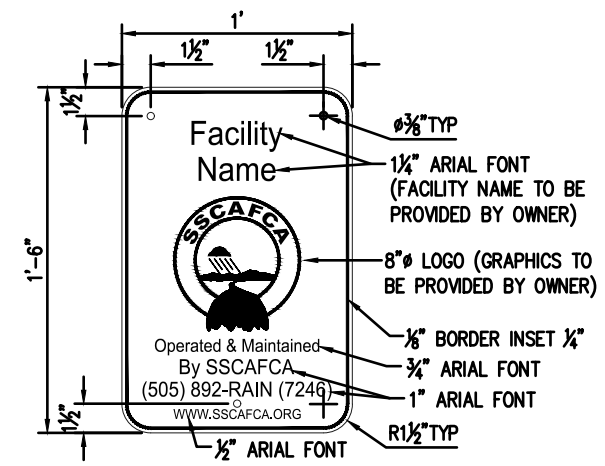


GENERAL NOTES:

- ALL WELDED AND CUT AREAS TO BE CLEANED THOROUGHLY WITH A WIRE BRUSH AND OR SAND BLAST AND REGALVANIZED.
- REGALVANIZING SHALL BE WITH SHERWIN WILLIAMS ZINC CLAD 7 PRIMER OR EQUAL.
- AFTER PRIMING, PAINT ALL PIPES, HINGES, ETC. WITH TWO (2) COATS OF OSHA SAFETY BLUE OR EQUAL.
- CONFIRM GATE SWING DIRECTION W/ENGINEER PRIOR TO SHOP DRAWING SUBMITTAL.

CONSTRUCTION NOTES:

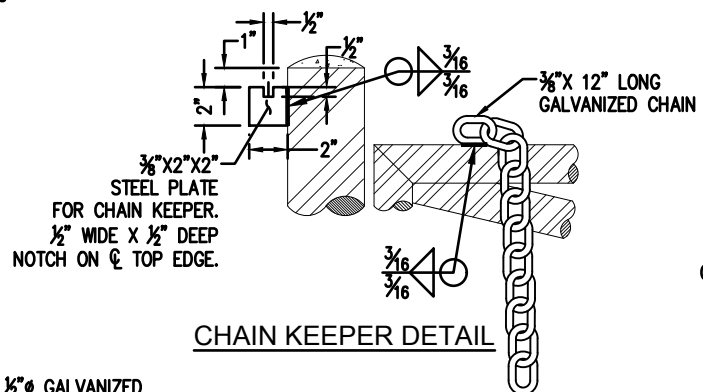
- 2" NOMINAL DIA. GALVANIZED PIPE, MIN. 3.65 LBS/FT.
- 2 1/2" NOMINAL DIA. GALVANIZED PIPE, MIN. 5.79 LBS/FT.
- 4" NOMINAL DIA. GALVANIZED PIPE, MIN. 10.79 LBS/FT.



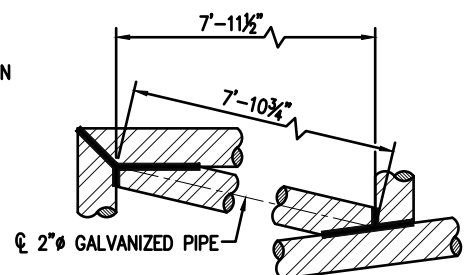
SIGN MATERIAL:

- 63 MIL THICK ALUMINUM WITH DIAMOND GRADE REFLECTIVITY.
- 12+ YEAR DURABILITY, MANUFACTURED WITH PREMIUM 3M INKS AND REFLECTIVE MATERIALS DESIGNED FOR MUNICIPAL OUTDOOR TRAFFIC OR PARKING SIGNS.

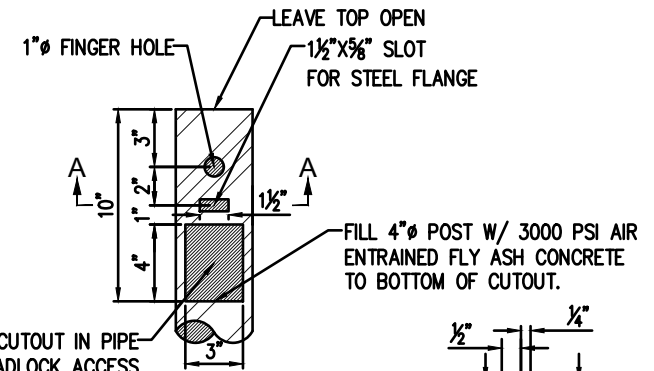
FACILITY SIGN DETAIL



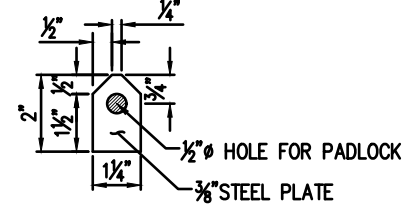
CHAIN KEEPER DETAIL



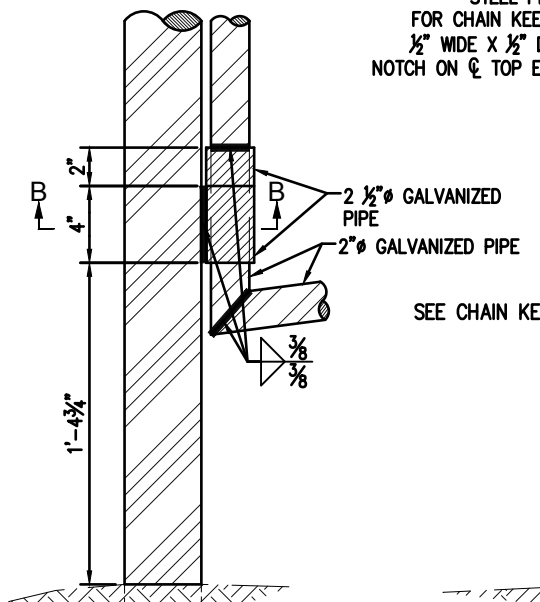
CONNECTION DETAIL



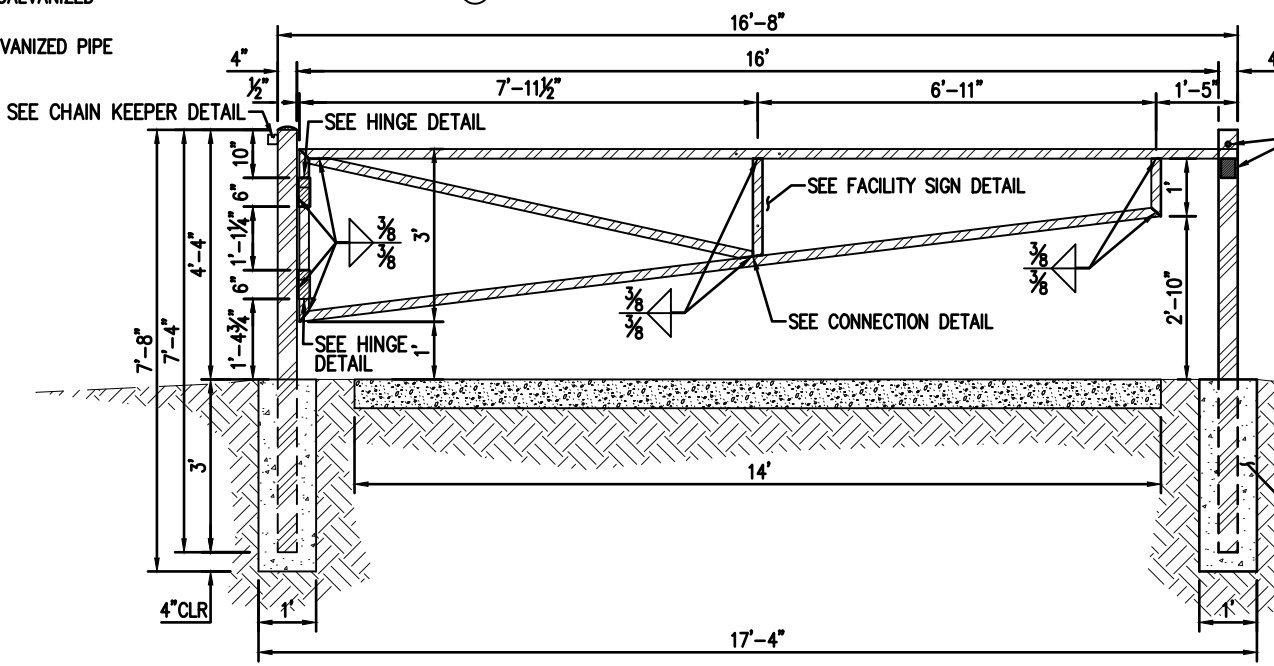
GATE CLOSURE DETAIL



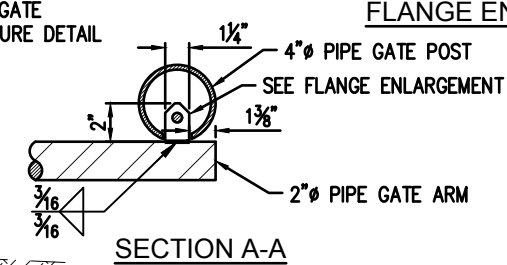
FLANGE ENLARGEMENT



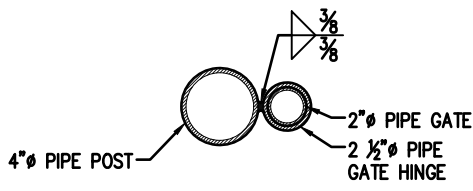
HINGE DETAIL



MAINTENANCE ACCESS GATE DETAIL



SECTION A-A



SECTION B-B



Southern Sandoval County
Arroyo Flood Control Authority

STANDARD DRAWING
M101
MAINTENANCE ACCESS GATE